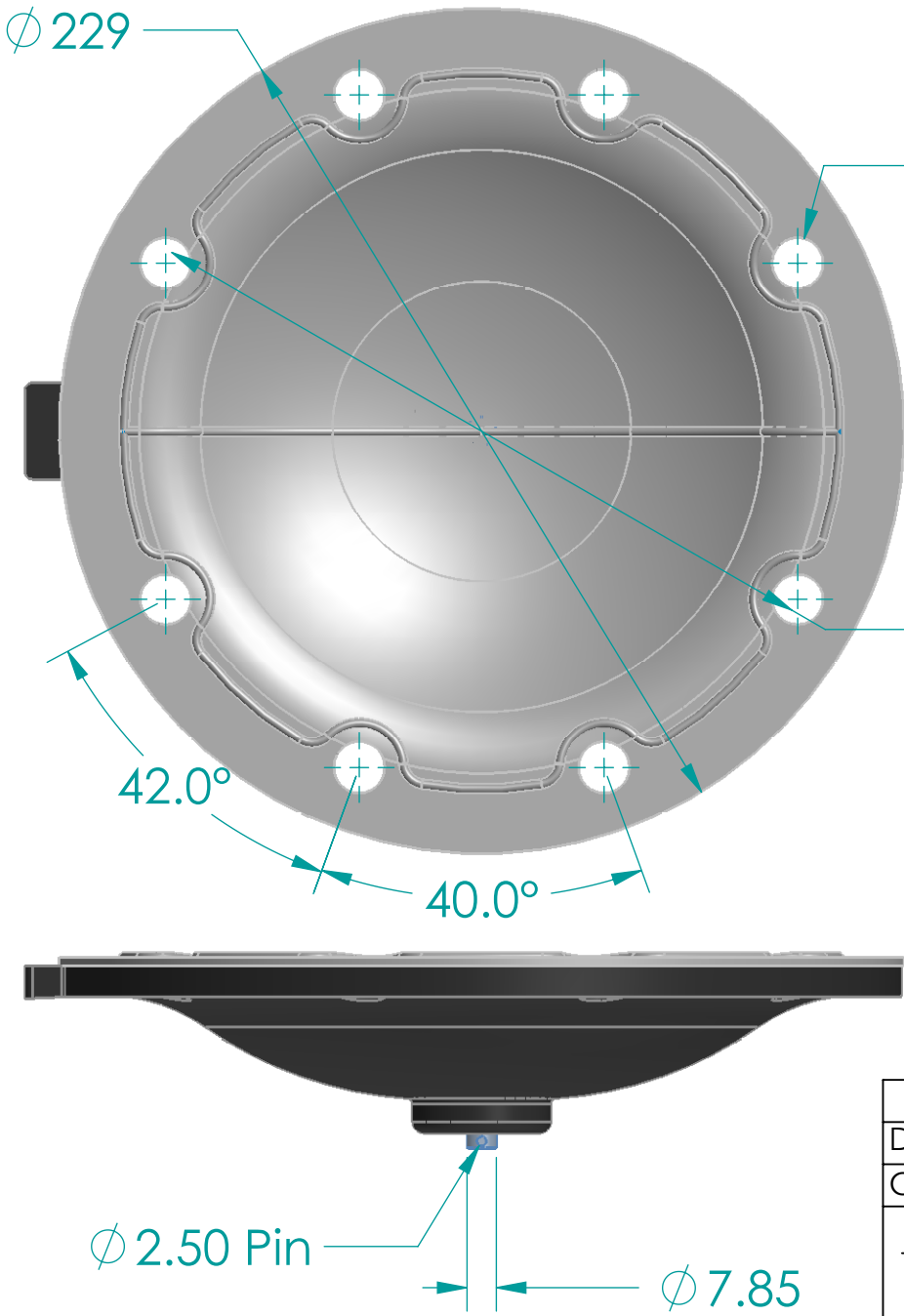


# Revision History

Rev	Description	Date	Approved
A	New OEM Part No. A-100EX-4"	09/03/22	JB



$\phi 13.8$   
8 Holes

$\phi 194$  PCD



**Replacement Diaphragm for:-**  
**OEM PART = A-100EX-4"**  
**USED ON 4" (DN100) Diaphragm Valve**

Name	Date
Drawn M.Mc Keon	09/03/22
Checked	
<b>Material -</b>	
<b>SILICONE BACKING</b>	
<b>TFM-DIAPHRAGM</b>	
Complies with CFR 177.2600	
and Conforms to	
USP Class VI Biological Reactivity	
Tests Section #87 and #88	



TITLE <b>DD40-STFM-X</b>		
Size A	FOOT PRINT DIMENSIONS	Rev A
File-	DD40-STFM-X RevA	
SCALE: 1:2	Job: 44	Sheet 1 of 1

Disclaimer - Diaphragm Direct® does not manufacture, represent, nor sell OEM valves or diaphragms manufactured by any other company. Diaphragm Direct® brand diaphragms are not sponsored by any other manufacturers. Any name, model, part number, brand, image, material or referral is for descriptive purposes only. Diaphragm Direct® brand replacement diaphragms are guaranteed to fit OEM equipment and meet or exceed OEM specifications. Diaphragm Direct® brand replacement diaphragms are covered by the standard Diaphragm Direct® limited product warranty.